

Angular Contact Ball Bearings

Bearing No. : **NACHI 7200DF**

■ Bearing Type

■ Clearance

■ Tolerance Class

Dimensions

d = 10⁰
-0.008

D = 30⁰
-0.009

B = 9⁰
0.000

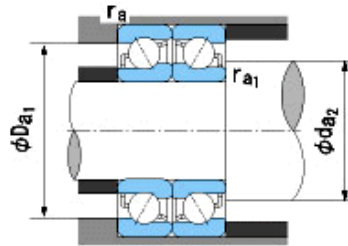
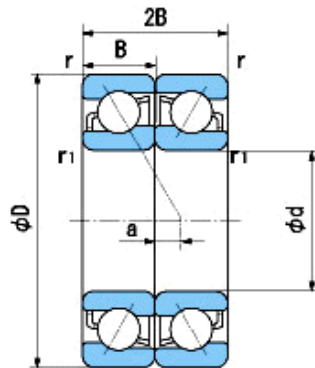
r = 0.6~1
(Radial Direction)

r = 0.6~2
(Axial Direction)

r1 = 0.3~0.6
(Radial Direction)

r1 = 0.3~1
(Axial Direction)

a = 1.3



Dimensions

da1(min) = 15
da2(min) = 12
Da1(max) = 25
Da2(max) = 27.4
ra(max) = 0.6
ra1(max) = 0.3
Mass = 0.068 kg

Basic Dynamic Load Rating Cr :	8,800 N
Basic Static Load Rating Cor :	5,400 N
Limiting Speed ;	
Grease Lubrication :	18,000 min ⁻¹
Oil Lubrication :	24,000 min ⁻¹

	INNER RING	OUTER RING
O.D.Surface Runout with Side :		-
Axial Runout with Bore :	-	
Axial Runout with Raceway :	-	
Width Variation :	0.015	0.015
Radial Runout :	0.010	0.015